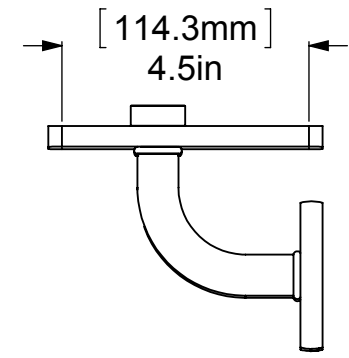
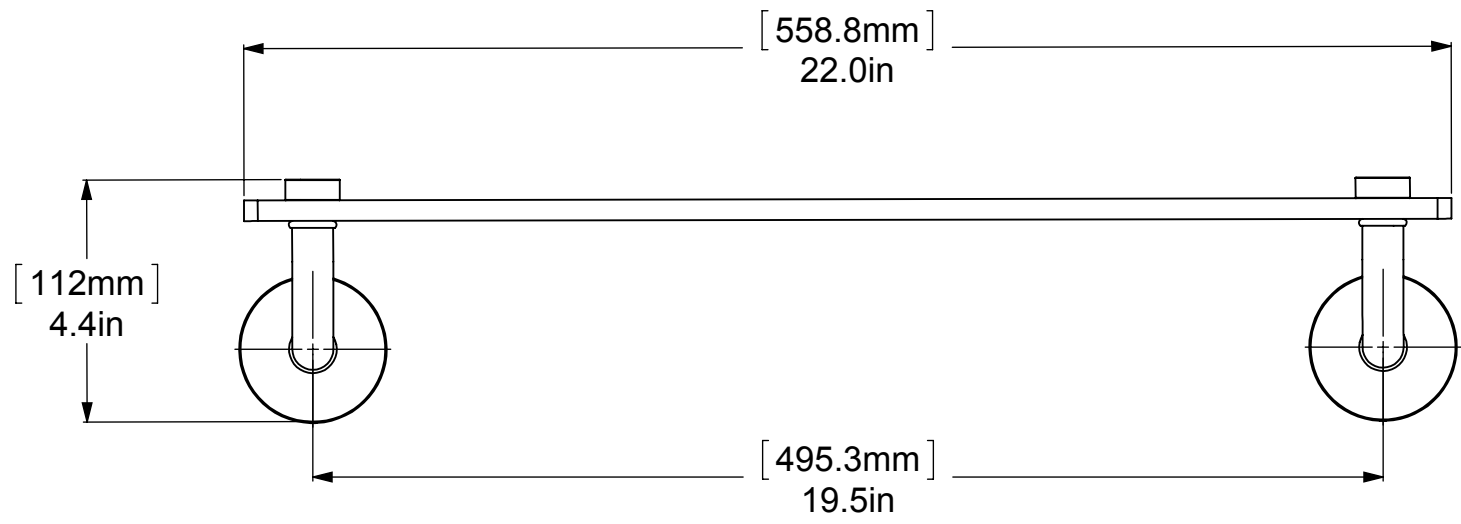
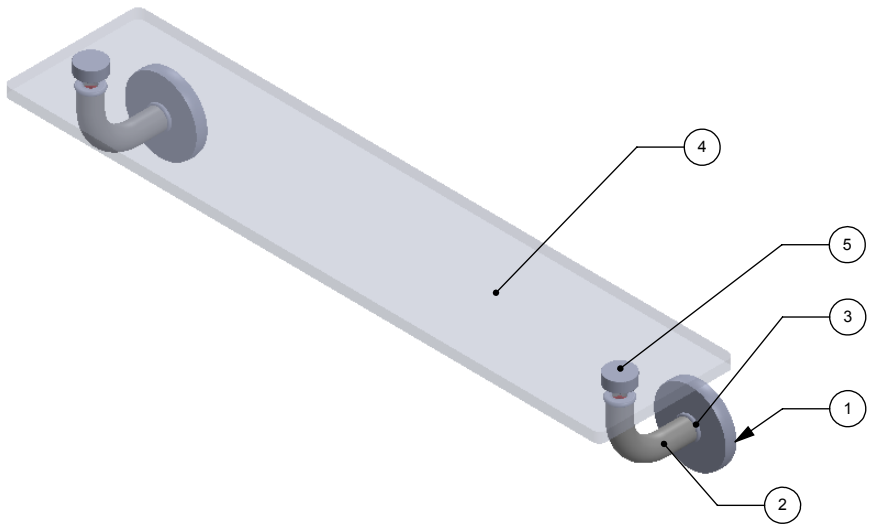


ITEM NO.	P/N	DESCRIPTION	QTY.
1	BPRD	BACKPLATE	2
2	SWELB-3	TUBE	2
3	CRRD-34	CHECK RING	4
4	GLRT-22	GLASS	1
5	CARD-1	END LOCK	2



NOTE:  
UNIT IS MM.

**APPROVED FOR PRODUCTION**  
BY: RICHARD PAUL  
DATE: 1/24/2017

UNLESS OTHERWISE STATED	
.X	±.3mm
.XX	±.15mm
.XXX	±.008mm

COPYRIGHT © Allied Brass 2016



DRAWN	1/24/2017	I.M	MATERIAL:	BRASS		FINISH	TBD	
CHECKED	1/24/2017	P.D	DESCRIPTION:	SHELF		QUANTITY	TBD	
APPROVED	1/24/2017	R.A	SCALE			1:3.5	SHEET: 01	A4
						DRAWING No.		REV
						RM-1-22		0